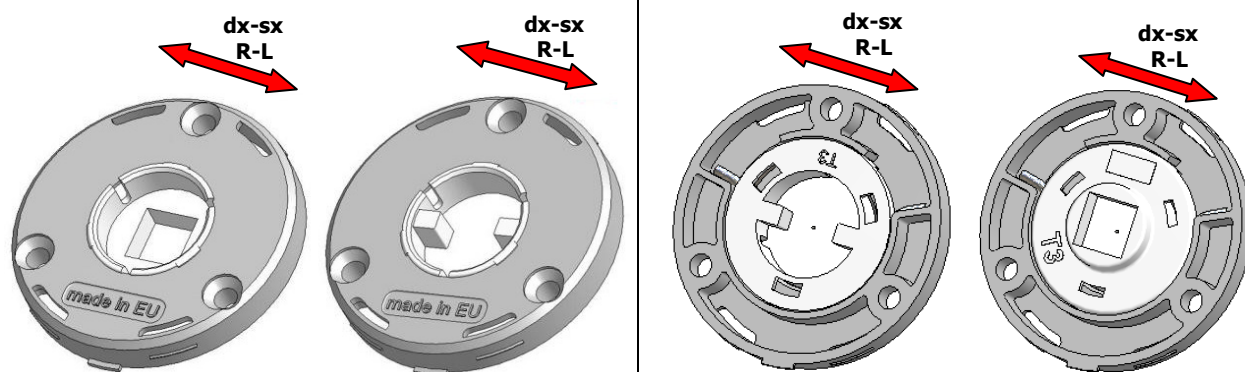


Roses \varnothing 45x7 mm with right-left spring

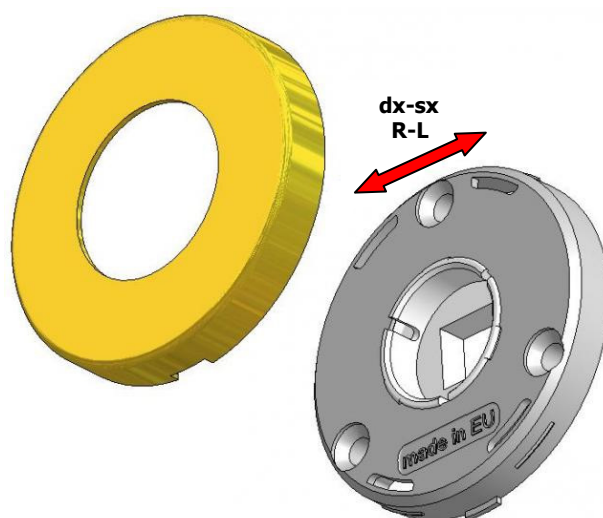


Article code: [MKRT457C16/****](#)

These roses are available in various versions:

- with hole \varnothing 16 mm without neck and square hole 8 mm;
- with hole \varnothing 16 mm, neck \varnothing 22mm and square hole 8 mm;
- with hole \varnothing 16 mm for handles with a milling;

Click [here](#) to see all the available versions.



Mounting example of a spring-loaded rose \varnothing 45x7 mm with a brass screw cover rosette \varnothing 45x7 mm.

All the new roses \varnothing 45x7 mm with right-left spring can be combined with our existing metal roses \varnothing 45x7 mm in brass or aluminium.

Click [here](#) to see all the matching metal roses \varnothing 45x7 mm.