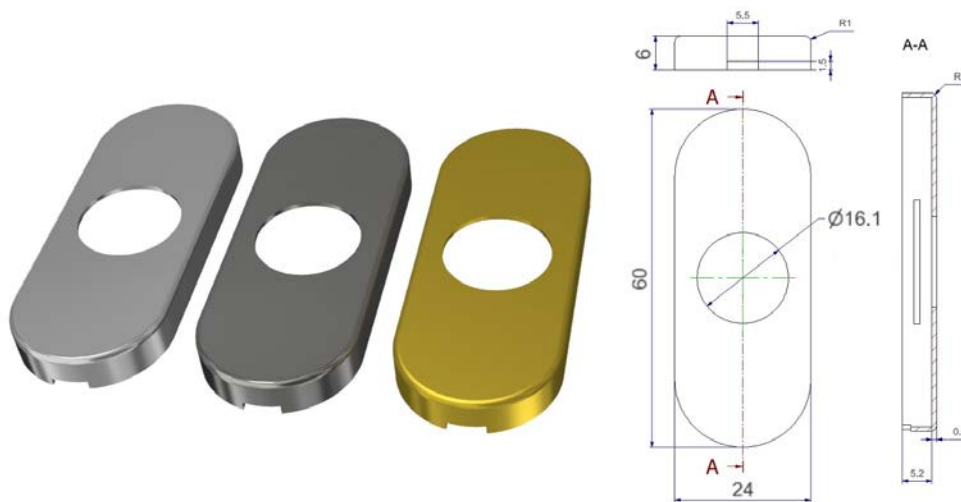


- ◆ Rotor type: with 4 positions
- ◆ Screw holes: with or without nuts
- ◆ Screw distance: 43 mm
- ◆ Spindle handle side: 7x28 mm or 8x28 mm overmolded
- ◆ Spindle window side: \varnothing 7 mm with various lengths
- ◆ Oval clip-on roses available in brass, aluminium and stainless steel



Thanks to the limited size of the rose:

- ◆ it can be mounted on windows with narrow profiles
- ◆ it responds to the current trend of minimalist design

