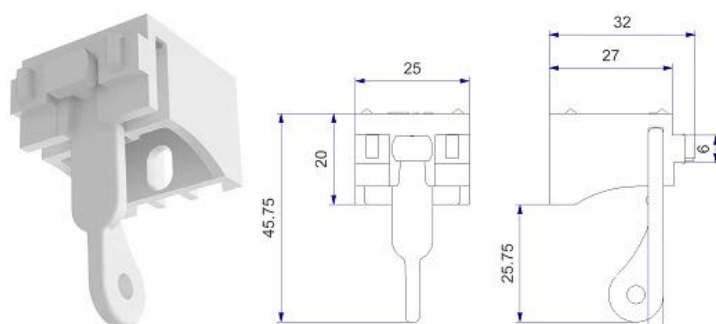


New wall-ceiling bracket with lever

Article code: [ARL704B000/0001](#)

Description: Wall-ceiling bracket with lever, 20 mm, type -D1-



- ◆ Ergonomic lever for an easy assembly/ removal of the track
- ◆ Combinable with our bracket extension 20 mm [ARL7080000/0001](#)

