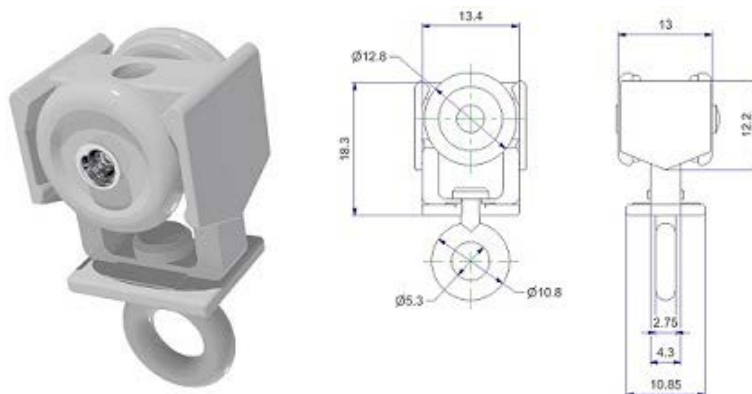


Glider for perfect waves for motorized tracks

Article code: [ARS686BA00/0001](#)

Description: Glider G2 MOTO with wheels and rotating eyelet



- ◆ The glider has a rotating eyelet
- ◆ Combinable with our [G2 button cords with a spacing of 30, 60 or 80 mm](#) for perfect waves

