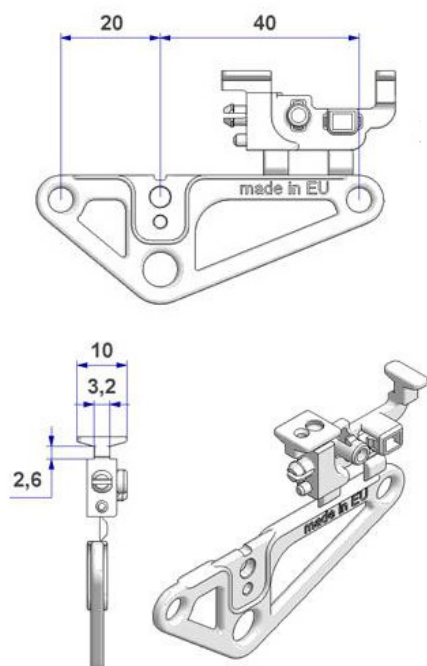
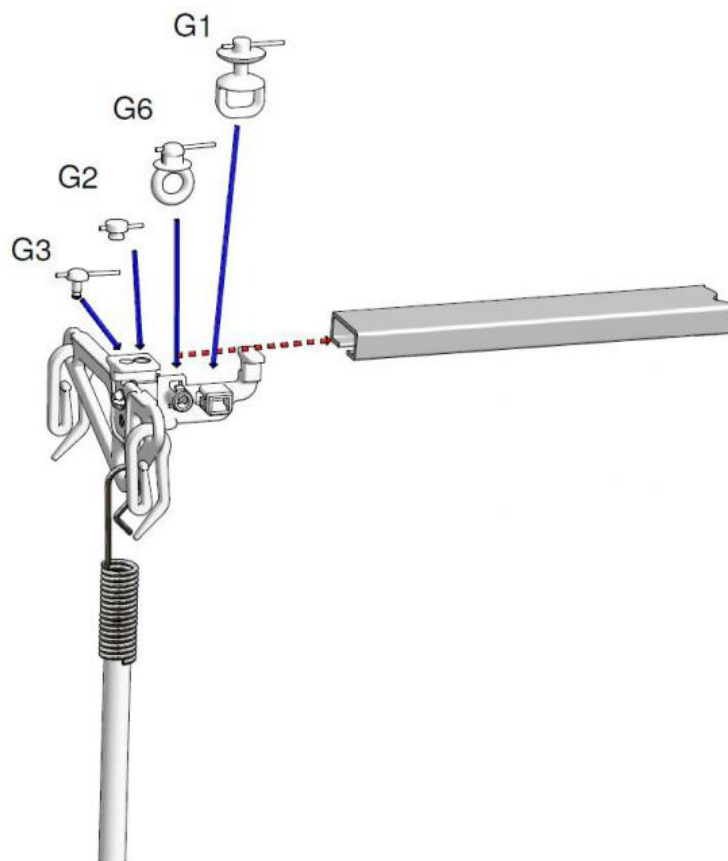


Wave start glider NEW

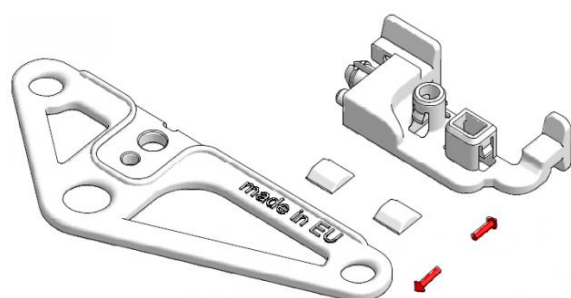


art. [ARS686JA00/0101](#)
(replaces art. ARS686JA00/0001)

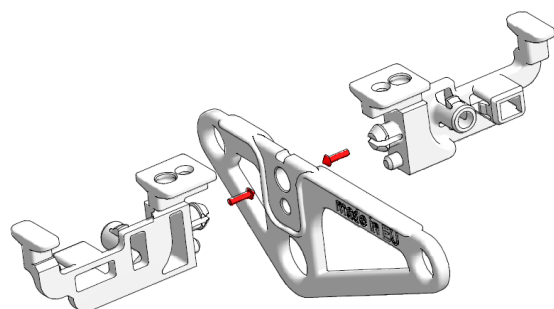


Combinable with the cords:

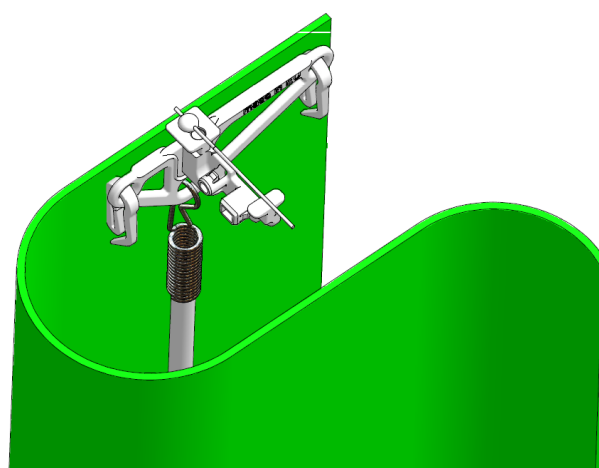
- with glider G1 [ARS686B060](#) or [ARS686B080](#)
- with button G2 [ARS6860030](#), [ARS6860060](#) or [ARS6860080](#)
- with button G3 [ARS6860B60](#) or [ARS6860B80](#)
- with glider G6 [ARS6860C80](#)



The glider consists of two parts,
connected by two small joints.



The installer needs to mount
the two components in the desired position,
depending of the moving direction of the curtain.



Its purpose is to let the first wave
start straight and perpendicular to the curtain rail.
If necessary [curtain pull baton](#) can be applied
as illustrated in the images above.